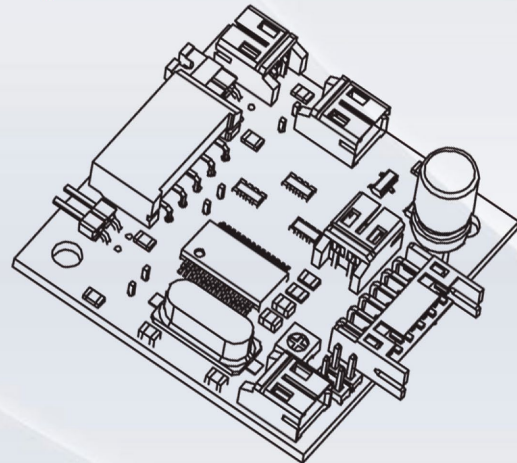


Why Eurocircuits!

Fast & Easy

- On-line Ordering
- Wide Range of Technical Options on the Market
- Always Available
- Full On-line Chat and Telephone Support (multilingual)

All Services In-house (PCB & PCBA)
Factories in Germany & Hungary
+400 Employees
+12,000 Customers Annually
+110,000 Orders Annually
Dedicated to the European Electronics Market



Free Online Smart Tools

- Professional DRC/DFM Checks
- Easy to View Graphical Results
- Quick & Easy Editing Tools
- Fast & Easy Way to Verify New Designs
- Excellent On-Line Validation Tools of NPI

• This Helps You to Achieve:

- Right First Time for Manufacture
- On Time Projects
- Within Budget

Our PCB & PCBA Services

- Bare boards:
 - PCB Proto – Standard 3 Days Delivery
 - Standard pool - 5 Days Standard Delivery
 - DEFINED IMPEDANCE pool – 5 Days Standard Delivery
 - RF pool - 5 Days Standard Delivery
 - IMS pool - 5 Days Standard Delivery
 - Semi-Flex pool – Flex to Install Solutions
- Populated:
 - If we can make the PCB, we can Populate it
 - 3+3 - Data to Assembled PCB Proto Boards in 6 Days
 - All other services from 5 Days Delivery after boards are ready
- Other Services
 - Stencil Services
 - Benchtop PCB Assembly Equipment

